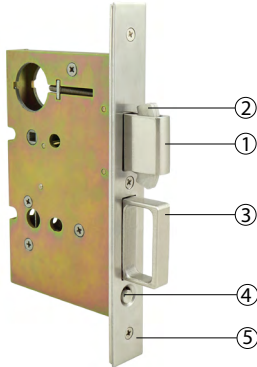
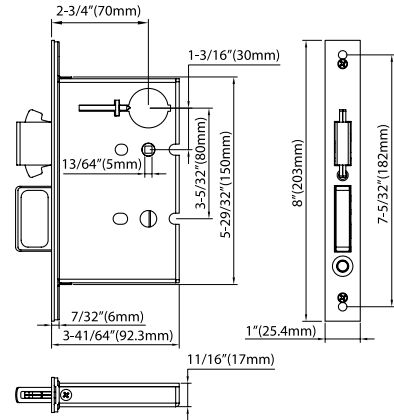
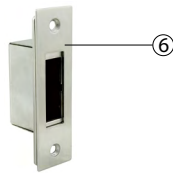


PD8000 Mortise Lock Cases and Cylinder for Sliding/Pocket Door

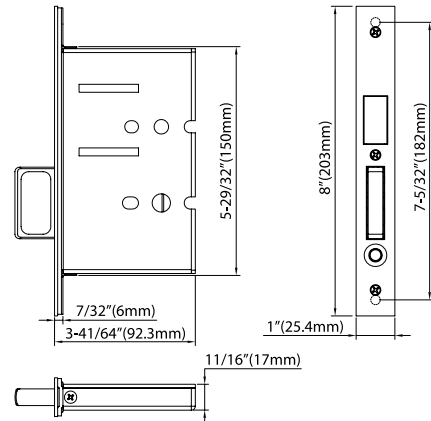
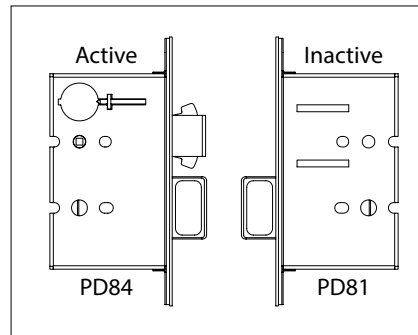
PD84 : Lockcase with Deadbolt and Edge Pull



- 1) Deadbolt: Brass, 1" Throw
- 2) Hook: Self Retracting
Design To Protect Against
Faceplate Damage
- 3) Finger Pull With Internal Sound Buffer
- 4) Pull Button: Brass
- 5) Faceplate: 1", Stainless Steel;
Thickness: 2mm
- 6) 1/4" Adjustable Strike: Stainless Steel

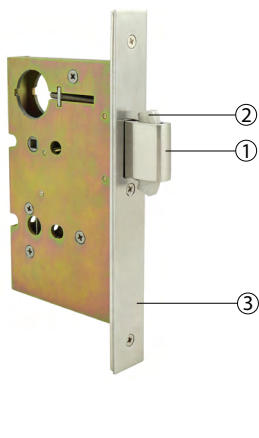


PD81: Lockcase with Built-in Edge Pull & Dust Proof Strike for Inactive Pair Door

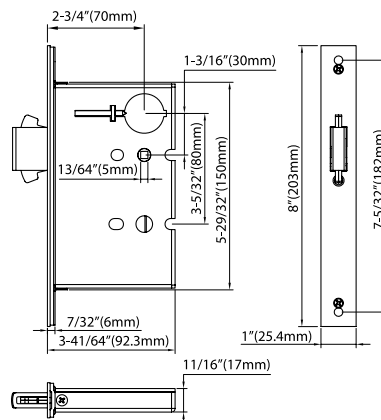


PD8000 Mortise Lock Cases and Cylinder for Sliding/Pocket Door

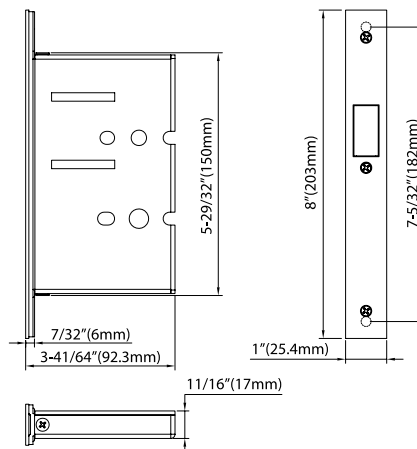
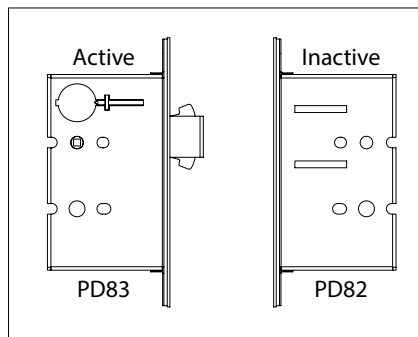
PD83 : Lockcase with Deadbolt, NO Edge Pull (ADA*)



- 1) Deadbolt: 1" Brass Throw
- 2) Hook: Stainless Steel Self Retracting Design To Protect Against Faceplate Damage
- 3) Faceplate: 1", Stainless Steel; Thickness: 2mm
- 4) 1/4" Adjustable Strike: Stainless Steel
- 5) ADA Functions Available

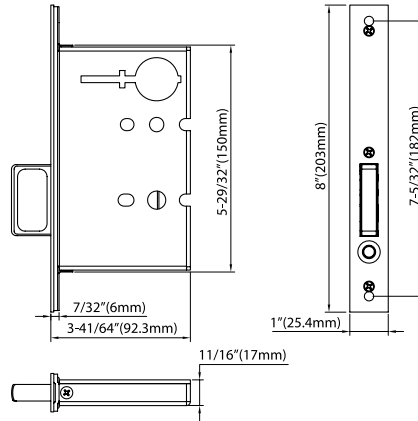


PD82: Lockcase with Built-in Dust Proof Strike for an Inactive Pair of Door, NO Edge Pull (ADA*)

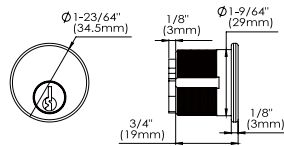


PD8000 Mortise Lock Cases and Cylinder for Sliding/Pocket Door

PD80: No Deadbolt with Finger Pull



Mortise Cylinders and Keys



Schlage C Keyway, 5 Pin, with Clover Cam, Comes with 2 Keys, Standard Keyed Different (KD). Other Keying Services available. All Keyed Functions use 5/16" Mortise Cylinder for standard 1-3/4" door. Thick Door Kits Available on Request.